



Datasheet

EETI

ETP-MB-EXC325680CJG-XXXX

TO-02-208

The information contained in this document has been carefully researched and is, to the best of our knowledge, accurate. However, we assume no liability for any product failures or damages, immediate or consequential, resulting from the use of the information provided herein. Our products are not intended for use in systems in which failures of product could result in personal injury. All trademarks mentioned herein are property of their respective owners. All specifications are subject to change without notice.



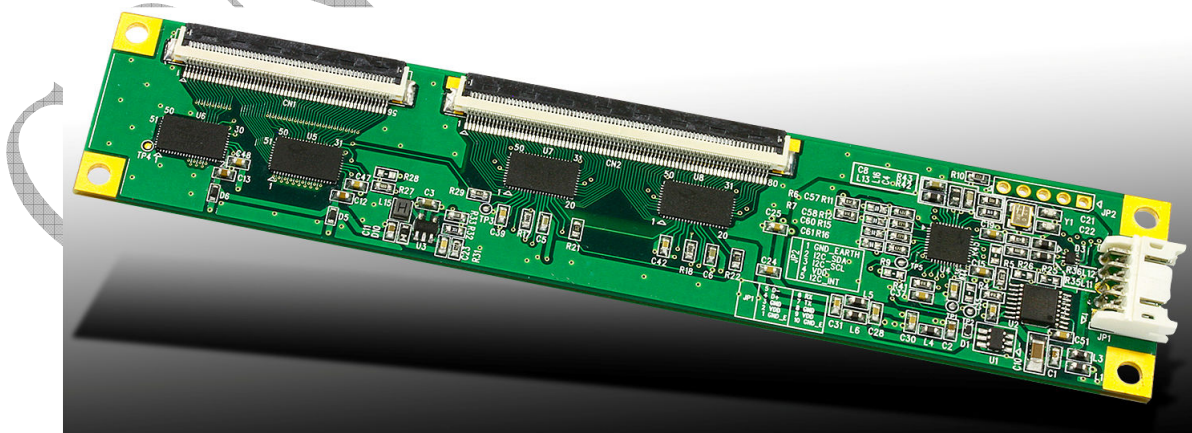
禾瑞亞科技股份有限公司
eGalax_eMPIA Technology Inc.

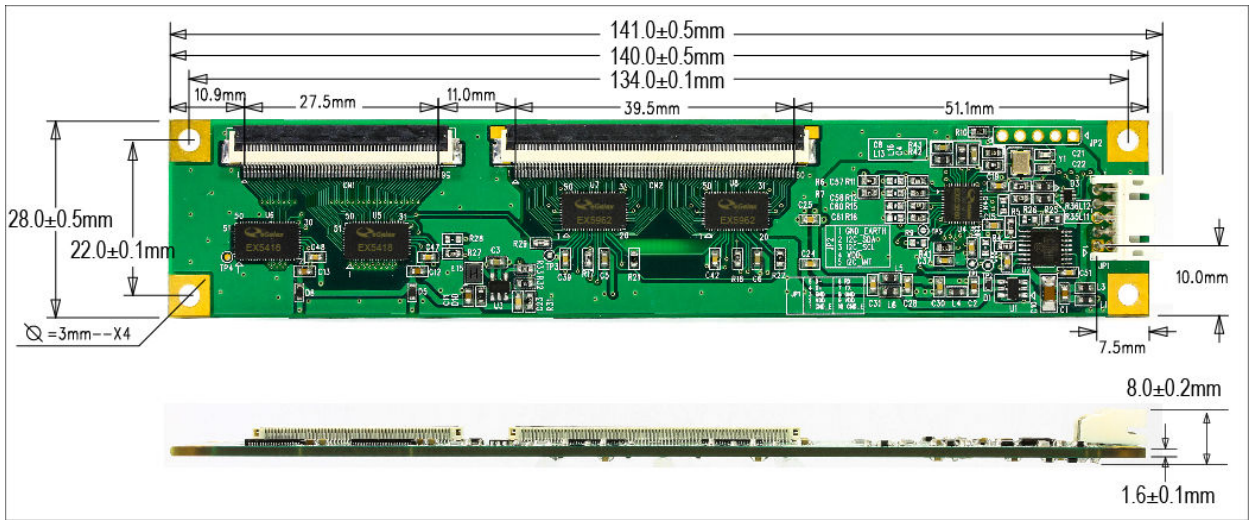
Projected Capacitive USB/RS232 Touch Panel Controller

eGalax_eMPIA launched touch control board to meet latest Restriction of Hazardous Substances (RoHS) Directive. This touch panel controller provides the optimistic performance of your projected capacitive touch panels. It communicates with PC system directly through USB/UART connector. You can see how superior the design is in sensitivity · accuracy and friendly operation. The touch panel driver emulates mouse left and right button function and supports operation systems as following.

OS	Version	Interfaces
Windows	Windows 8(Need logo submission) Windows 7 Windows Vista, XP/2000 Windows CE.net/5.0/6.0/7.0 Windows Embedded Windows XP Tablet PC edition	USB/RS232 (Win8)
Linux	Distribution based on Kernel 2.6.24 and later. (Ubuntu/Linux Mint Debian Fedora Red Hat/CentOS Magaie/Mandriva/Mandrake SUSE/openSUSE Android 2.3 ~ 4.4	USB/RS232
Mac	Mac OS, Mac OS X (PowerPC, Intel CPU)	USB
QNX	QNX RTOS v6.3	USB/RS232

Controller:





Thickness:

Total thickness: $8.0 \text{ mm} \pm 0.2 \text{ mm}$

(Including PCB: $1.6 \text{ mm} \pm 0.1 \text{ mm}$. USB/RS232 connector: 5.1 mm .

Soldering pin: 1.3 mm)

CONFIDENTIAL

Specifications:

USB/RS232 Type Controller	
Circuit Board Dimension	28mm x 140mm
Channels of Panel	Max. Tx:54 Rx:78 channels (exclude shielding pin)
Input Voltage	3.5V~5.5V.Typical 5V.
Operating Temperature	-40 to 85 °C
Storage Temperature	-40 to 90 °C
Relative Humidity	95% at 60 °C, RH Non-condensing
Linearity(Note 1)	Line drawing accuracy : 1pt +/- 1mm offset /10mm Touch (point) accuracy : 1pt +/- 1mm Refer to Windows 8 Logo regulation
Interface	USB: 1.1 Full Speed RS232: No parity,8 data bits,1 stop bit, baud rate 19200bps
Resolution	4096×4096 resolution
Power consumption(mA)	Active Mode: < 100mA Idle Mode : < 50mA Sleep Mode :< 5mA (Operation Mode :Active Mode only)
Report rate(points/sec) (Note 2)	> 100 Hz
Response time	Average < 25 ms

Note 1: Channel pitch should be design 4.8mm (Win8) or < 6mm (Non-Win8).

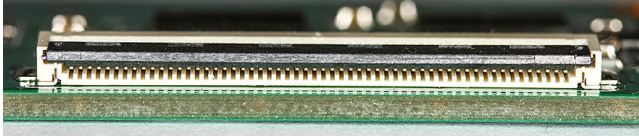
Note 2: Report rate will vary by channel number, cover thickness and other parameters.

Product Package:

- (1) PCAP Controller Board(ETP-MB-EXC325680CJG-XXXX)
- (2) Y-Cable (ETP-CB-SXC00)
- (3) USB or RS232 cable

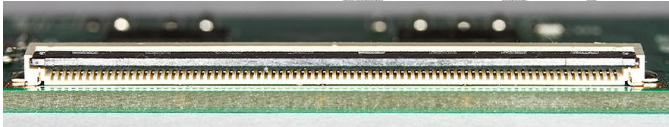
FPC Connector Pin Assignment:

CN1 Connector



CN1																				
20	19	18	17	16	15	14	13	12	11	10	9	8	7	6	5	4	3	2	1	PIN
TX19	TX18	TX17	TX16	TX15	TX14	TX13	TX12	TX11	TX10	TX9	TX8	TX7	TX6	TX5	TX4	TX3	TX2	TX1	Shield_TX1	
40	39	38	37	36	35	34	33	32	31	30	29	28	27	26	25	24	23	22	21	PIN
TX39	TX38	TX37	TX36	TX35	TX34	TX33	TX32	TX31	TX30	TX29	TX28	TX27	TX26	TX25	TX24	TX23	TX22	TX21	TX20	
				59	55	54	53	52	51	50	49	48	47	46	45	44	43	42	41	PIN
				Shield_TX2	TX54	TX53	TX52	TX51	TX50	TX49	TX48	TX47	TX46	TX45	TX44	TX43	TX42	TX41	TX40	
																				PIN

CN2 Connector



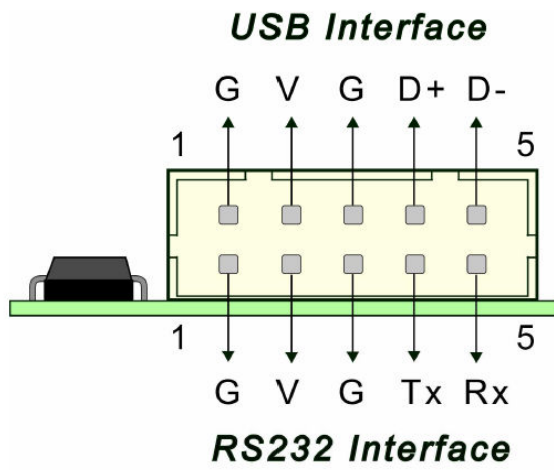
CN2																				
20	19	18	17	16	15	14	13	12	11	10	9	8	7	6	5	4	3	2	1	PIN
RX19	RX18	RX17	RX16	RX15	RX14	RX13	RX12	RX11	RX10	RX9	RX8	RX7	RX6	RX5	RX4	RX3	RX2	RX1	Shield_RX1	
40	39	38	37	36	35	34	33	32	31	30	29	28	27	26	25	24	23	22	21	PIN
RX39	RX38	RX37	RX36	RX35	RX34	RX33	RX32	RX31	RX30	RX29	RX28	RX27	RX26	RX25	RX24	RX23	RX22	RX21	RX20	
60	59	58	57	56	55	54	53	52	51	50	49	48	47	46	45	44	43	42	41	PIN
RX59	RX58	RX57	RX56	RX55	RX54	RX53	RX52	RX51	RX50	RX49	RX48	RX47	RX46	RX45	RX44	RX43	RX42	RX41	RX40	
80	79	78	77	76	75	74	73	72	71	70	69	68	67	66	65	64	63	62	61	PIN
Shield_RX2	RX78	RX77	RX76	RX75	RX74	RX73	RX72	RX71	RX70	RX69	RX68	RX67	RX66	RX65	RX64	RX63	RX62	RX61	RX60	

Interface Connector JP1:

USB/RS232 Combo Connector



USB&RS232 interface:



CONFIDENTIAL

Our company network supports you worldwide with offices in Germany, Great Britain, Italy, Turkey and the USA. For more information please contact:



DATA DISPLAY GROUP

Distec GmbH

Augsburger Str. 2b
82110 Germering
Germany

Phone: +49 (0)89 / 89 43 63-0
Fax: +49 (0)89 / 89 43 63-131
E-Mail: info@datadisplay-group.de
Internet: www.datadisplay-group.de

Display Technology Ltd.

5 The Oaks Business Village
Revenge Road, Lordswood
Chatham, Kent, ME5 8LF
United Kingdom

Phone: +44 (0)1634 / 67 27 55
Fax: +44 (0)1634 / 67 27 54
E-Mail: info@datadisplay-group.co.uk
Internet: www.datadisplay-group.co.uk

Apollo Display Technologies, Corp.

87 Raynor Avenue, Unit 1 Ronkonkoma, NY
11779
United States of America

Phone: +1 631 / 580-43 60
Fax: +1 631 / 580-43 70
E-Mail: info@datadisplay-group.com
Internet: www.datadisplay-group.com

Sales Partner:

REM Italy s.a.s.

di Michieletto Flavio & C.
Via Obbia Bassa, 10
I-35010 Trebaseleghe (PD)
Italy
Phone: +39 335 521 37 89
E-Mail: info@remitaly.com
Internet: www.remitaly.com

Sales Partner:

DATA DISPLAY BİLİŞİM TEKNOLOJİLERİ İÇ VE DIŞ TİCARET LİMİTED ŞİRKETİ

Barbaros Mh Ak Zamabak Sk A Blok
D:143 Ataşehir/İstanbul
Turkey
Phone: +90 (0)216 / 688 04 68
Fax: +90 (0)216 / 688 04 69
E-Mail: info@data-display.com.tr
Internet: www.data-display.com.tr