



# Datasheet

**EETI**

**EXC324478TCG**

TO-02-240

The information contained in this document has been carefully researched and is, to the best of our knowledge, accurate. However, we assume no liability for any product failures or damages, immediate or consequential, resulting from the use of the information provided herein. Our products are not intended for use in systems in which failures of product could result in personal injury. All trademarks mentioned herein are property of their respective owners. All specifications are subject to change without notice.

---

# EXC324478TCG

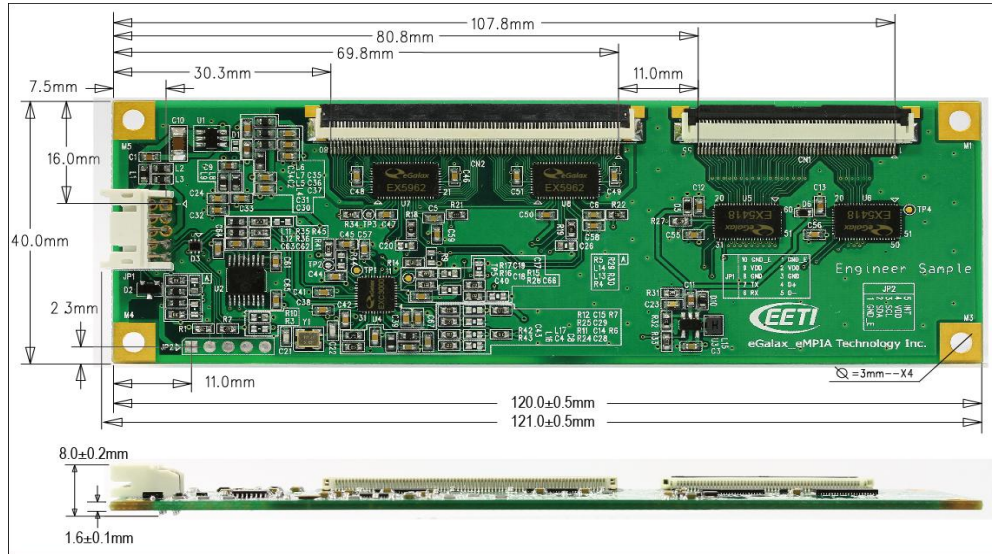
## Projected Capacitive USB/RS232/I2C Touch Panel Controller

EETI launched touch control board to meet latest Restriction of Hazardous Substances (RoHS) Directive. This touch panel controller provides the optimistic performance of your projected capacitive touch panels. It communicates with PC system directly through USB connector. You can see how superior the design is in sensitivity accuracy and friendly operation. The touch panel driver emulates mouse left and right button function and supports operation systems as following.

The EXC3000 is a MCU based integrated system controller chip for capacitive touchscreen. Working with EETI's EX5418 and EX5962 for Projected Capacitive Touchscreen (PCAP/PCT) touch technology. It works with EETI's extension slave ASIC for Projected capacitive touchscreen. This chip design is scalable for different size, numbers of sensing channels of projected capacitive sensors. This main chip can work with multiple slave ASICs to support bigger size of sensor.

OS	Version	Interfaces
<b>Windows</b>	Windows 8(Need logo submission) Windows 7 Windows Vista, XP/2000, 9x/ME Windows CE 2.12/3.0/.net/5.0/6.0 Windows Embedded Windows XP Tablet PC edition	USB/RS232
<b>Linux</b>	<i>The new Linux driver supports most of the Linux distribution on 32/64 bit versions, including Kernel 2.4.x / 2.6.x with XFree86 4.X / Xorg 6.7 to 7.6 ( Up to X server 1.9.x)</i>  <i>CentOS, Debian, Fedora, Gentoo, Mandrake (Mandriva), Red Hat, Slackware, SuSE (OpenSuSE), Ubuntu (Xubuntu), Yellow Dog, Android and Meego etc.</i>	USB / RS232 I2C (up to Kernel 2.6.x)
<b>Mac</b>	Mac OS9, Mac OS X (IBM, intel CPU)	USB
<b>QNX</b>	QNX RTOS v6.3	USB

# EXC324478TCG



## Thickness:

Total thickness: 8mm ± 0.2mm  
 (Including PCB: 1.6mm.USB/RS232 connector:5.1mm. Soldering pin:1.3 mm)

## Specifications:

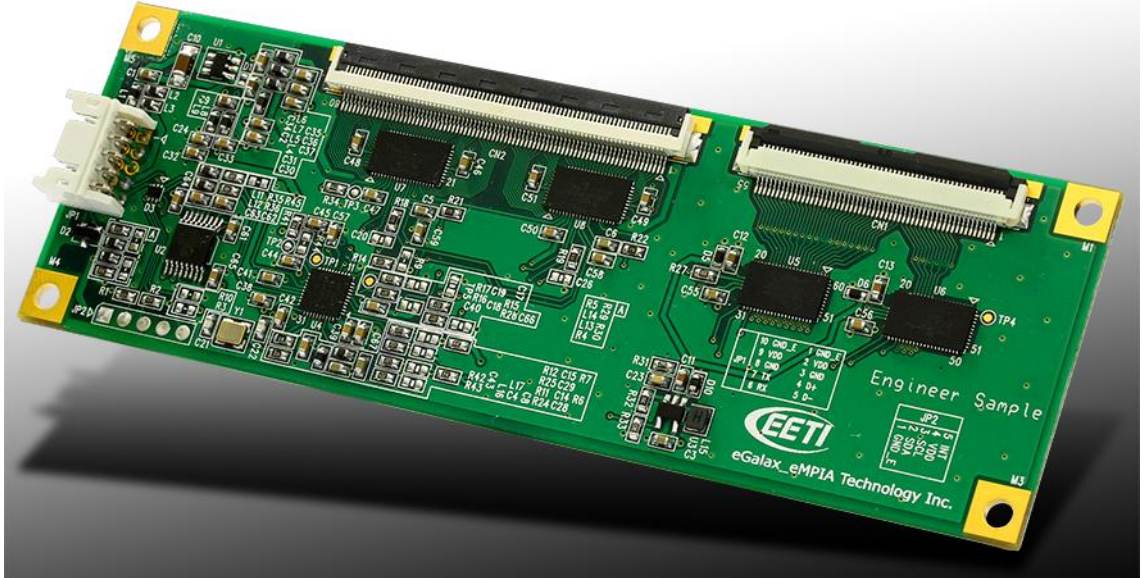
<b>USB &amp; RS232 &amp; I2C Type Controller</b>	
Circuit Board Dimension	120mm x 40mm
Power Requirements	D.C.+5V (100mA typical, 50mV peak to peak maximum ripple and noise)
Operating Temperature	-45 to 80 °C
Storage Temperature	-45 to 90 °C
Relative Humidity	95% at 60 °C, RH Non-condensing
Interface	USB: 1.1 Full Speed (12Mbps) RS232: No parity,8 data bits,1 stop bit, baud rate 115200bps
Resolution	2048×2048 resolution
Report rate	USB: Max. 100 points/sec
Response time	Average < 25 ms

# EXC324478TCG

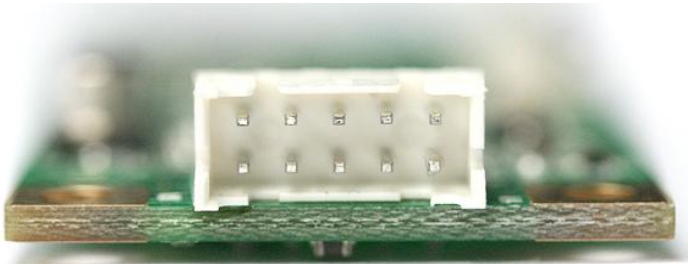
## Product Package:

- (1) ETP-MB-EXC324478TCG (PCAP USB/RS232/I2C control board)
- (2) ETP-CB-SXC00 (Y cable)

## Upper View:



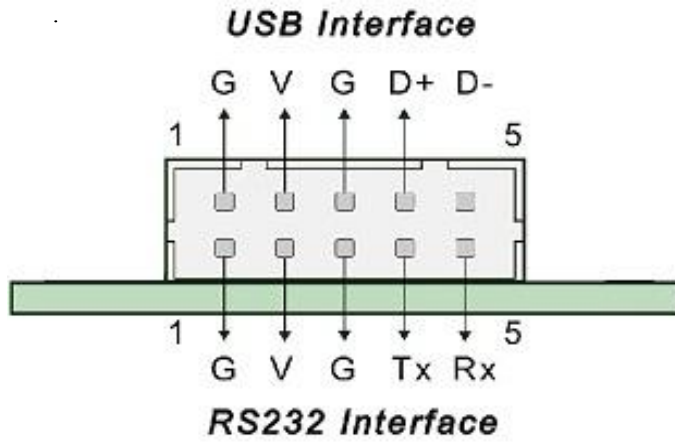
## USB/RS232 Connectors:



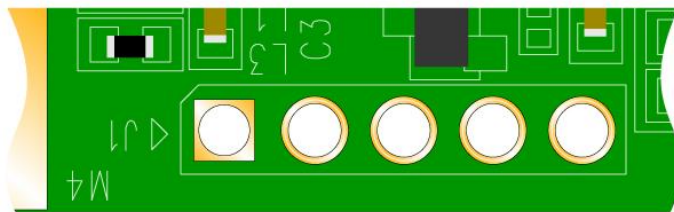
## USB and RS232 Connector Pin Assignment:



# EXC324478TCG

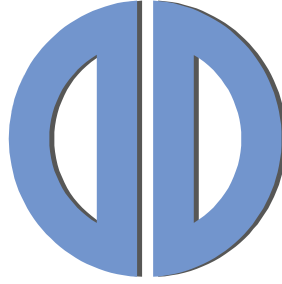


## I2C Connector Pin Assignment:



- |   |           |
|---|-----------|
| 1 | GND_EARTH |
| 2 | I2C_SDA   |
| 3 | I2C_SCL   |
| 4 | VDD       |
| 5 | I2C_INT   |

Our company network supports you worldwide with offices in Germany, Great Britain, Turkey and the USA.  
For more information please contact:



---

## DATA DISPLAY GROUP

### **Distec GmbH**

Augsburger Str. 2b  
82110 Germering  
Germany

Phone: +49 (0)89 / 89 43 63-0  
Fax: +49 (0)89 / 89 43 63-131  
E-Mail: [info@datadisplay-group.de](mailto:info@datadisplay-group.de)  
Internet: [www.datadisplay-group.de](http://www.datadisplay-group.de)

### **Display Technology Ltd.**

5 The Oaks Business Village  
Revenge Road, Lordswood  
Chatham, Kent, ME5 8LF  
United Kingdom

Phone: +44 (0)1634 / 67 27 55  
Fax: +44 (0)1634 / 67 27 54  
E-Mail: [info@datadisplay-group.co.uk](mailto:info@datadisplay-group.co.uk)  
Internet: [www.datadisplay-group.co.uk](http://www.datadisplay-group.co.uk)

### **Apollo Display Technologies, Corp.**

87 Raynor Avenue, Unit 1 Ronkonkoma, NY  
11779  
United States of America

Phone: +1 631 / 580-43 60  
Fax: +1 631 / 580-43 70  
E-Mail: [info@datadisplay-group.com](mailto:info@datadisplay-group.com)  
Internet: [www.datadisplay-group.com](http://www.datadisplay-group.com)

### **Sales Partner:**

#### **DATA DISPLAY BİLİŞİM TEKNOLOJİLERİ İÇ VE DIŞ TİCARET LİMİTED ŞİRKETİ**

Barbaros Mh. Ak Zambak Sk. A Blok D:143  
34376 Ataşehir / İstanbul  
Turkey

Phone: +90 (0)216 / 688 04 68  
Fax: +90 (0)216 / 688 04 69  
E-Mail: [info@data-display.com.tr](mailto:info@data-display.com.tr)  
Internet: [www.data-display.com.tr](http://www.data-display.com.tr)