

# ARCB- Kit and Wiring Information

## 1. Kits

ARCB is available as predefined panel specific kit<sup>1</sup>. The kit includes the ARCB board and all necessary cables to add the ARCB to a Prisma kit. Custom kits can be supplied on request.

The following predefined ARCB kits are available:

Order number	Name
KD-23-000	ARCBII-02 for display set 1
KD-23-001	ARCBII-02 for display set 2
KD-23-002	ARCBII-02 for display set 3

Set	Panel	Panel parameter	Panel order number
Display set 1	Samsung LTI460AA03	46", P-DID, 1500 cd/m <sup>2</sup>	SA-01-180
	Samsung LTI460AA04	46", E-DID, 700 cd/m <sup>2</sup>	SA-01-195
	Samsung LTI520HB02	52", B-DID, 500 cd/m <sup>2</sup>	SA-01-222
	Samsung LTI520HB01-001	52", P-DID, 700 cd/m <sup>2</sup>	SA-01-171
Display set 2	Samsung LTI320AA02	32", B-DID, 450 cd/m <sup>2</sup>	SA-01-197
	Samsung LTI400HA01	40", B-DID, 450 cd/m <sup>2</sup>	SA-01-216
	Samsung LTI400HA03	40", P-DID, 700 cd/m <sup>2</sup>	SA-01-198
Display set 3	Samsung LTI460HA01	46", B-DID, 450 cd/m <sup>2</sup>	SA-01-199
	Samsung LTI460HA03	46", P-DID, 700 cd/m <sup>2</sup>	SA-01-215

<sup>1</sup>) Note: The ARCB kit does not include the Prisma converter board and panel. It is required to order a Prisma controller kit with panel separately.

ARCB has to be configured individually for each panel. Please contact us for our ARCS software for ARCB configuration and the configuration files and operating parameters for all panels of the display sets.

# ARCB- Kit and Wiring Information



## 2. Parts lists

The following lists show all items which are included in the ARCB kits.

Kit order number	Item order number	Item name
KD-23-000 <sup>1</sup>	PA-18-000	ARCB board
	AR-01-001-A2	ARCB High current board
	KA-30-248	Cable ARCBII-HC Sense Comm. 30cm
	KA-30-157	Cable RS232 for ARCBII 1m
	KA-30-250	Cable USB for ARCBII 75cm
	KA-30-233	Cable Prisma Remote Ctrl. via ARCB 65cm
	KA-30-154	Invertercable Prisma/ARCB 60cm
	KA-30-152	Cable LVDS Prisma/ARCB 50cm
	KA-30-153	Cable LVDS Power Prisma/ARCB 50cm
	KA-30-193	Cable 39-01-2200 3xGE/SW open end 120cm
	KA-20-048	Invertercable ARCBHC/Prisma/2xPHR-14, 70cm

<sup>1</sup>This kit requires an additional High Current board due to inverter currents > 9 A

Kit order number	Item order number	Item name
KD-23-001	PA-18-001	ARCB board
	KA-30-157	Cable RS232 for ARCBII 1m
	KA-30-250	Cable USB for ARCBII 75cm
	KA-30-233	Cable Prisma Remote Ctrl. via ARCB 65cm
	KA-30-154	Invertercable Prisma/ARCB 60cm
	KA-30-152	Cable LVDS Prisma/ARCB 50cm
	KA-30-153	Cable LVDS Power Prisma/ARCB 50cm
	KA-30-156	Cable Molex 43645-0400 open end 50cm
	KA-20-046	Invertercable ARCB/Prisma/1xPHR-14 70cm

# ARCB- Kit and Wiring Information



Kit order number	Item order number	Item name
KD-23-002	PA-18-001	ARCB board
	KA-30-157	Cable RS232 for ARCBII 1m
	KA-30-250	Cable USB for ARCBII 75cm
	KA-30-233	Cable Prisma Remote Ctrl. via ARCB 65cm
	KA-30-154	Invertercable Prisma/ARCB 60cm
	KA-30-152	Cable LVDS Prisma/ARCB 50cm
	KA-30-153	Cable LVDS Power Prisma/ARCB 50cm
	KA-30-156	Cable Molex 43645-0400 open end 50cm
	KA-20-049	Invertercable ARCB/Prisma/2xPHR-14 70cm

## 3. Options

### Temperature Sensor

- KA-30-249 Cable with integrated external temperature sensor, 100 cm (39.37") - ARCB Connector 14
- KA-30-166 Cable ARCB Fan Power Input 1m (optional) - ARCB Connector 1
- KA-30-167 Cable ARCB Fan Power Output/Control 1m (optional) - ARCB Connector 22

### Light Sensor

- ZU-02-371 Ambient light sensor
- KA-30-185 Cable for ambient light sensor, 80 cm (31.50")

### Daisy Chain

- KA-30-221 Cable ARCB-II RS485 open end 1m (min. 2 pieces needed)

Connector for KA-30-221 required, e.g. RJ45 jack Cat5 or Cat5e (LAN technology)

- KA-30-250 Cable USB for ARCBII 75cm

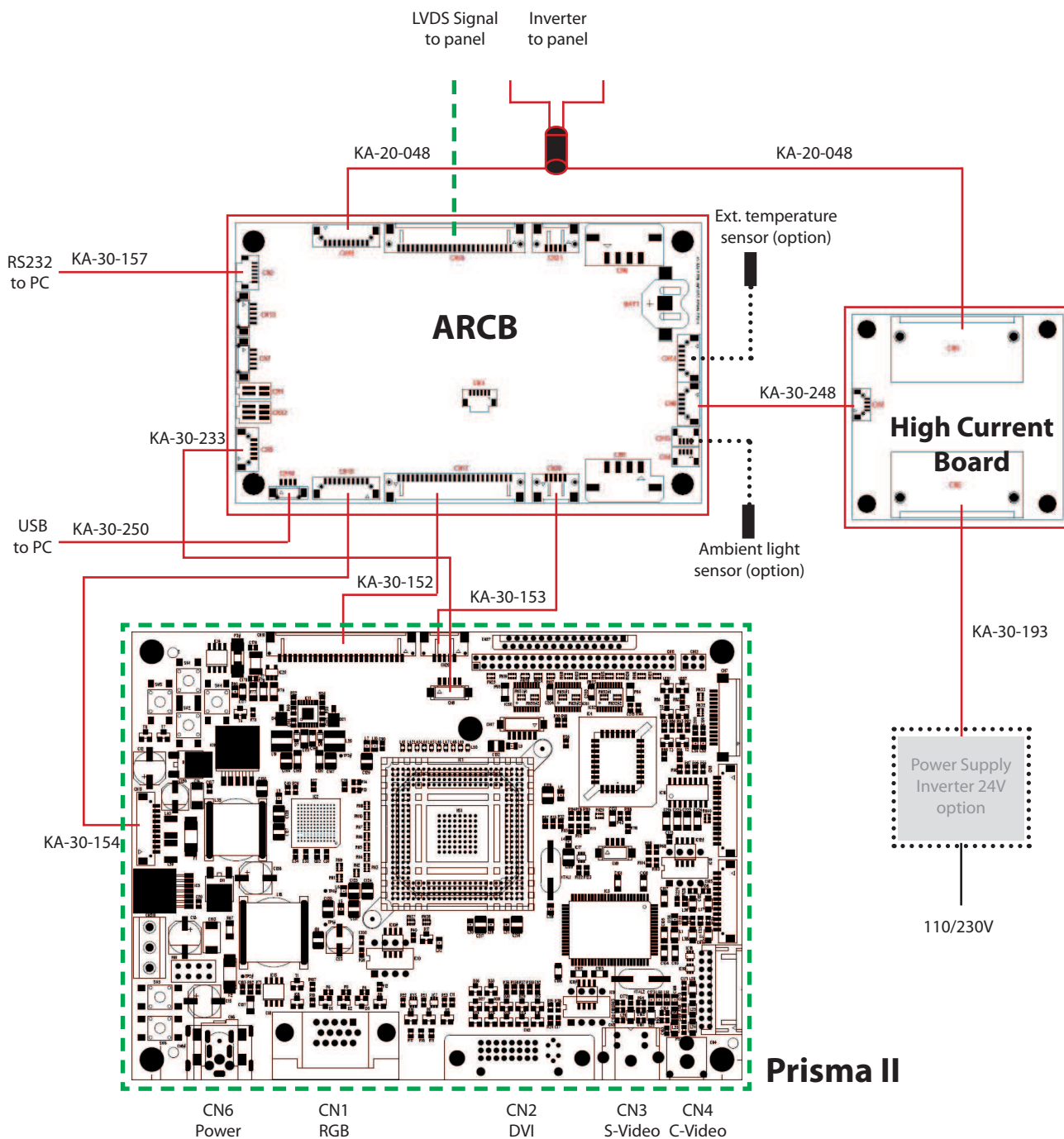
## 4. Wiring plans

The following schematic drawings show the integration of the ARCB kit into a Prisma kit.

# ARCB- Kit and Wiring Information



## Wiring of Kit KD-23-000

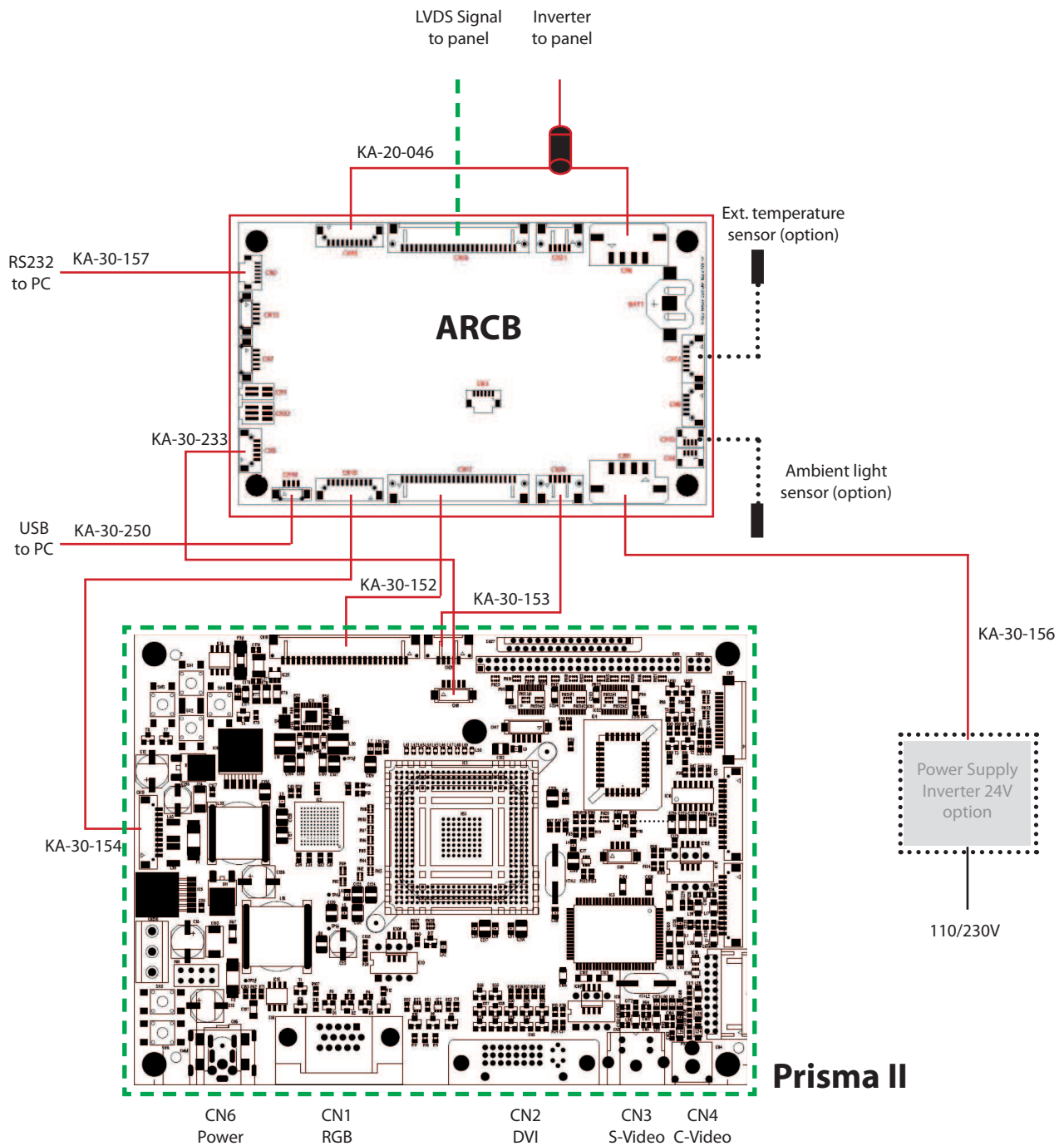


- Included in ARCB kit
- - - Included in Prisma kit
- ..... Option

# ARCB- Kit and Wiring Information



## Wiring of Kit KD-23-001

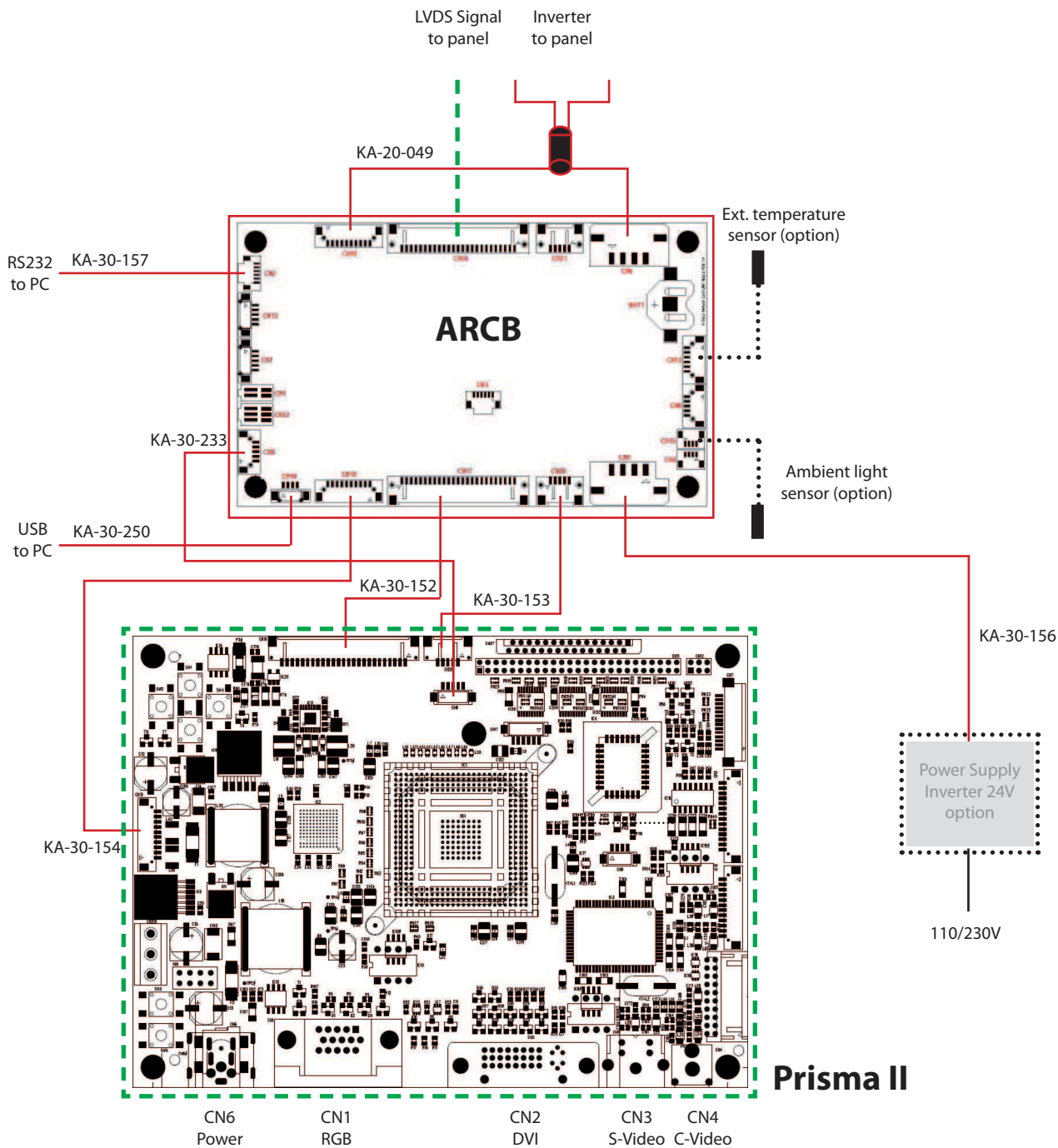


- Included in ARCB kit
- - - Included in Prisma kit
- ..... Option

# ARCB- Kit and Wiring Information



## Wiring of Kit KD-23-002



- Included in ARCB kit
- - - Included in Prisma kit
- ..... Option

Our company network supports you worldwide with offices in Germany, Austria, Switzerland, Great Britain and the USA. For more information please contact:

## Headquarters

### Germany



#### FORTEC Elektronik AG

Lechwiesenstr. 9  
86899 Landsberg am Lech

Phone: +49 8191 91172-0  
E-Mail: [sales@forteca.de](mailto:sales@forteca.de)  
Internet: [www.forteca.de](http://www.forteca.de)

## Fortec Group Members

### Austria



#### FORTEC Elektronik AG

##### Office Vienna

Nuschinggasse 12  
1230 Wien

Phone: +43 1 8673492-0  
E-Mail: [office@fortec.at](mailto:office@fortec.at)  
Internet: [www.fortec.at](http://www.fortec.at)

### Germany



#### Distec GmbH

Augsburger Str. 2b  
82110 Germering

Phone: +49 89 894363-0  
E-Mail: [info@distec.de](mailto:info@distec.de)  
Internet: [www.distec.de](http://www.distec.de)

### Switzerland



#### ALTRAC AG

Bahnhofstraße 3  
5436 Würenlos

Phone: +41 44 7446111  
E-Mail: [info@altrac.ch](mailto:info@altrac.ch)  
Internet: [www.altrac.ch](http://www.altrac.ch)

### United Kingdom



#### Display Technology Ltd.

5 The Oaks Business Village  
Revenge Road, Lordswood  
Chatham, Kent, ME5 8LF

Phone: +44 1634 62755  
E-Mail: [info@displaytechnology.co.uk](mailto:info@displaytechnology.co.uk)  
Internet: [www.displaytechnology.co.uk](http://www.displaytechnology.co.uk)

### USA



#### Apollo Display Technologies, Corp.

87 Raynor Avenue,  
Unit 1 Ronkonkoma,  
NY 11779

Phone: +1 631 5804360  
E-Mail: [info@apolloDisplays.com](mailto:info@apolloDisplays.com)  
Internet: [www.apolloDisplays.com](http://www.apolloDisplays.com)