



OUR GLOBAL
COMPETENCE
CENTRES

 APOLLO DISPLAY
TECHNOLOGIES



 DISTEC



 DISPLAY
TECHNOLOGY



Datasheet

NEXCOM

NDiS B337

Embedded Box PC Edge Computing System with Intel® Celeron® J3455 Apollo Lake Processor



The information contained in this document has been carefully researched and is, to the best of our knowledge, accurate. However, we assume no liability for any product failures or damages, immediate or consequential, resulting from the use of the information provided herein. Our products are not intended for use in systems in which failures of product could result in personal injury. All trademarks mentioned herein are property of their respective owners. All specifications are subject to change without notice.



Main Features

- Intel® Celeron® J3455 processor
- Support 2 x HDMI1.4b output
- Support power input 12 VDC
- Fanless design
- Slim chassis design (40mm)
- Fanless design
- 1 x DDR3L up to 8GB
- M.2 2242 Key M for storage device
- mini-PCIe slot support Wi-Fi and LTE module
- Extended temperature -20~60°C

Product Overview

Powered by Intel® Celeron® processor, the NDiS B337 fanless embedded player can handle 2 independence display output. The NDiS B337 supports HDMI display, USB 3.0 ports, and a RS232/RS422/RS485 interface, is an ideal embedded player to optimize information visualization, convey brand messages, customer engagement, and smart retail management efficiencies to increase in-store traffic and sales. Also could be applicable as gateway for smart city.

The NDiS B337 series is a slim/fanless player with extended temperature durability further extends to outdoor usage like QSR drive through kiosks, box office displays, information stands, bus stops, or digital transit information signs. It is also ideal as a digital signage player delivering enhanced performance and new immersive experiences for advertising, hospitality and brand promotion applications.

Specifications

CPU Support

- Intel® Celeron® J3455 processor (2.30GHz, 10W)

Graphics

- Intel® HD graphics 500

Main Memory

- 1 x 204-pin SO-DIMM socket, support up to DDR3L 1866MHz, non-ECC, un-buffered memory up to 8GB

I/O Interface-Front

- 2 x RJ45 with LEDs for Gigabit LAN
- 2 x HDMI 1.4b, resolution 3840 x 2160 30Hz
- 2 x USB 3.0
- 2 x USB 2.0
- 1 x Power button with LED
- 1 x DC-in Jack with lock
- 1 x RS232/RS422/RS485 (COM1)

I/O Interface-Rear

- 2 x Antenna hole
- 1 x RS232 (COM2)
- 1 x Storage active LED
- 1 x Audio jack

Internal I/O

- 1 x TPM module connector

Expansion

- 1 x mini-PCIe full-size connector with SIM slot (nano) onboard, support Wi-Fi/LTE module

Storage

- 1 x M.2 2242 Key M SSD

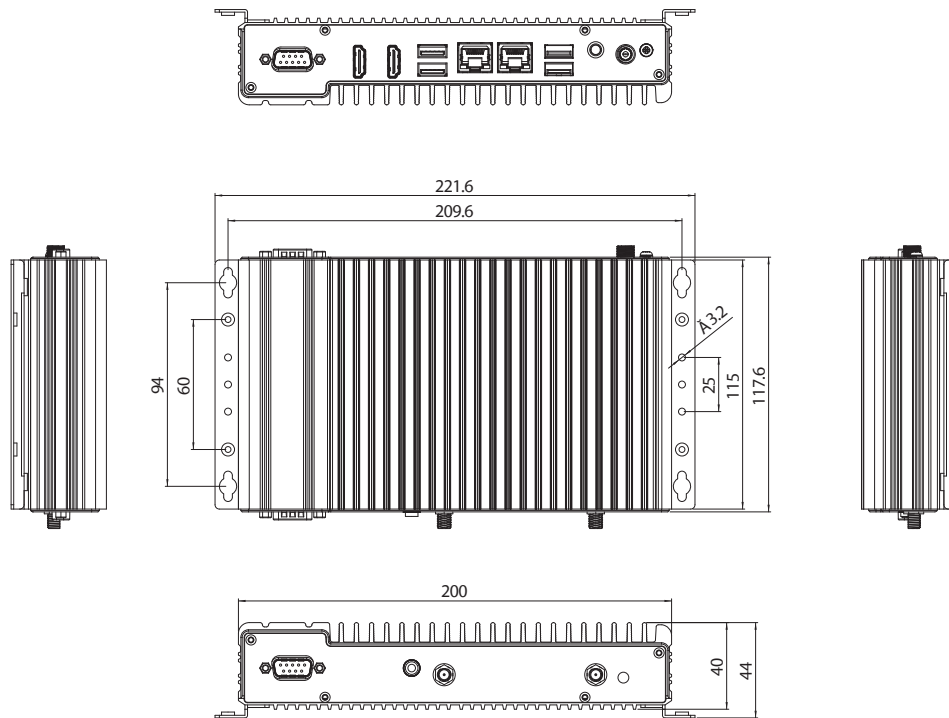
Power Supply

- 1 x External 60W AC/DC power adapter with lock (power adapter is included in accessory)
- Input: 100VAC to 240VAC
- Output: +12VDC

Environment

- Operating temperature: -20°C to 60°C
- Storage temperature: -20°C to 80°C
- Humidity: 95% (non-condensing)
- Shock protection: 50G peak acceleration, 11 ms according to IEC60068-2-27
- Vibration protection
 - Random: 2Grms@5~500 Hz, IEC60068-2-64
 - Sinusoidal: 2G@5~500 Hz, IEC60068-2-6

Dimension Drawing



Dimensions

- 200mm (W) x 117.6mm (D) x 40mm (H)

Certification

- CE (EN55035 + EN55032)
- FCC Class A (EMI Part 15B)
- LVD (EN62368-1)

Operating System

- Win10 64-bit
- Linux 4.1

Ordering Information

- **NDiS B337 (P/N: 10W00B33700X0)**
Intel® Celeron® J3455 processor extended temperature system with 2 COM ports

Our company network supports you worldwide with offices in Germany, Austria, Switzerland, the UK and the USA. For more information please contact:

Headquarters

Germany



FORTEC Elektronik AG

Augsburger Str. 2b
82110 Germering

Phone: +49 89 894450-0
E-Mail: info@fortecaq.de
Internet: www.fortecaq.de

Fortec Group Members

Austria



Distec GmbH Office Vienna

Nuschinggasse 12
1230 Wien

Phone: +43 1 8673492-0
E-Mail: info@distec.de
Internet: www.distec.de

Germany



Distec GmbH

Augsburger Str. 2b
82110 Germering

Phone: +49 89 894363-0
E-Mail: info@distec.de
Internet: www.distec.de

Switzerland



ALTRAC AG

Bahnhofstraße 3
5436 Würenlos

Phone: +41 44 7446111
E-Mail: info@altrac.ch
Internet: www.altrac.ch

United Kingdom



Display Technology Ltd.

Osprey House, 1 Osprey Court
Hinchingsbrooke Business Park
Huntingdon, Cambridgeshire, PE29 6FN

Phone: +44 1480 411600
E-Mail: info@displaytechnology.co.uk
Internet: www.displaytechnology.co.uk

USA



Apollo Display Technologies, Corp.

87 Raynor Avenue, Unit 1
Ronkonkoma, NY 11779

Phone: +1 631 5804360
E-Mail: info@apolloDisplays.com
Internet: www.apolloDisplays.com