



OUR GLOBAL
COMPETENCE
CENTRES

 APOLLO DISPLAY
TECHNOLOGIES



 DISTEC



 DISPLAY
TECHNOLOGY

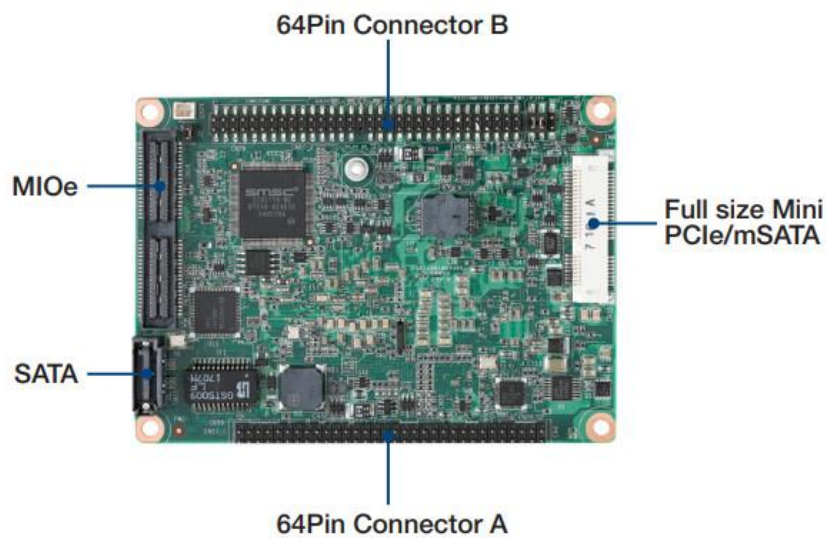


Datasheet

Advantech

MIO-3360

**2,5" Pico-ITX SBC as PIN Header Version with Intel® Pentium® N4200
& Celeron® N3350 Apollo Lake Processor**

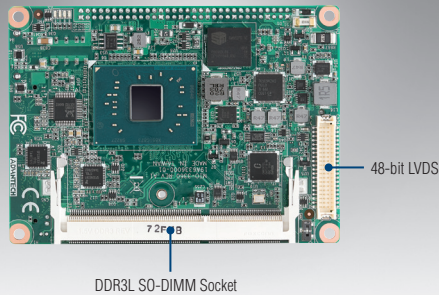


The information contained in this document has been carefully researched and is, to the best of our knowledge, accurate. However, we assume no liability for any product failures or damages, immediate or consequential, resulting from the use of the information provided herein. Our products are not intended for use in systems in which failures of product could result in personal injury. All trademarks mentioned herein are property of their respective owners. All specifications are subject to change without notice.

MIO-3360

Intel® Pentium N4200/Celeron N3350 Pico-ITX SBC

NEW



Features

- Embedded Intel® Pentium N4200/Celeron N3350
- DDR3L 1866MHz support up to 8BG
- Intel Gen 7 DirectX®11.1 support
- Dual Independent display: 48-bit LVDS, VGA, DP/HDMI
- Expansion: Full-size Mini PCIe, eMMC, mSATA*
- Rich I/O interface: 2 COM, 1 SATA, 4 USB 2.0, MIOe expansion
- Supports WISE-PaaS/RMM and Embedded Software APIs

Software APIs:



Utilities:



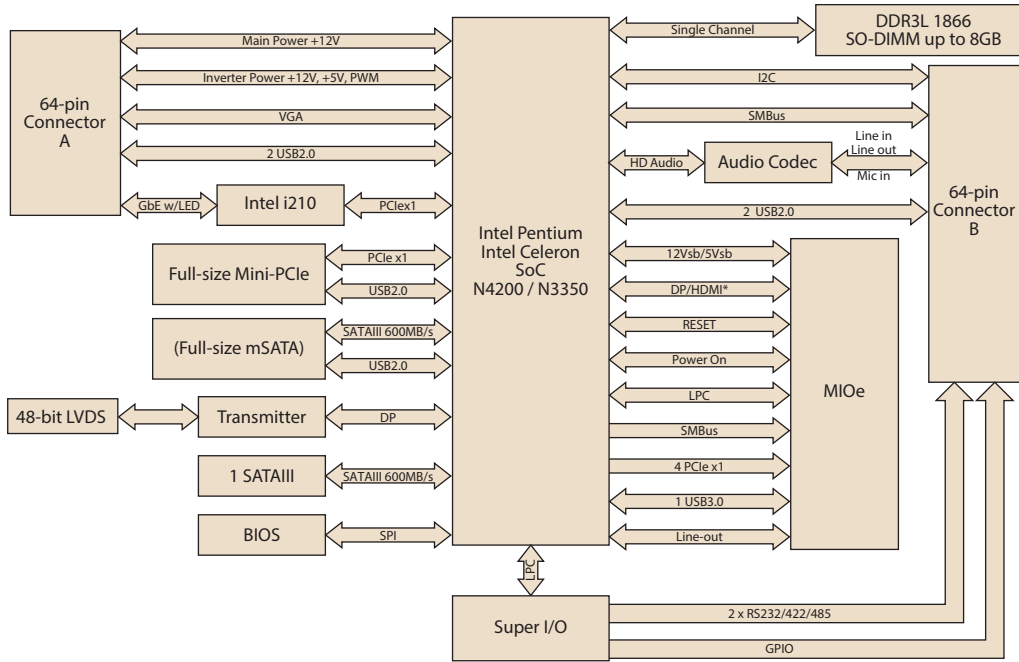
Specifications

Processor System	CPU	Pentium N4200	Intel Celeron N3350
	Frequency	1.10 GHz (Quad-Core)	1.10 GHz (Dual-Core)
	L2 Cache	2 MB	
	Max Turbo Frequency	2.50 GHz	2.40 GHz
	System Chipset	Intel Celeron / Atom SoC processor integrated	
	BIOS	AMI EFI 64 Mbit	
Memory	Technology	DDR3L 1866 MHz	
	Max. Capacity	8 GB	
	Socket	1 x 204-pin SODIMM (Support 1.35V DDR3L)	
Display	Chipset	Intel® Celeron/Atom SoC integrated	
	LVDS	Supports dual channel 24-bit LVDS Resolution: 1440 x 900 at 60Hz	
	VGA	Up to 1920 x 1200 at 60Hz	
	Dual Display	Yes (LVDS+VGA or LVDS+DP/HDMI or VGA+DP/HDMI)	
Ethernet	Speed	10/100/1000Mbps	
	Controller	Intel I210	
Audio	Chipset	Realtek, High Definition Audio (HD), Line-in, Line out, Mic-in	
WatchDog Timer		Output System reset, Programmable counter from 1 ~ 255 minutes/ seconds	
Storage	mSATA*	1 (Supports mSATA or USB interface module or full size miniPCIe, selected by BIOS, default is mSATA)	
	SATA	1, up to 6Gb/s (600MB/s)	
	eMMC	32GB	
Expansion	Mini PCI Express	1 x Full-size	
	MIOe	SMBus, USB3.0, LPC, 2 x PCIe x1, Line out, DisplayPort/HDMI*, +5 Vsb/+12 Vsb power, Power On, Reset	
	64-pin connector A	12V DC input, Inverter, VGA, 2 x USB2.0, 1GbE w/ LED**	
	64-pin connector B	SMBus, I²C, Power/Reset button, HDD/Power LED, 2 x USB2.0, 8-bit GPIO, HD Audio Line-in, Line out, Mic-in, 2 x RS-232/422/485	
Power	Power Type	Single 12V DC power input (Supports DC power hot plug)	
	Power Supply Voltage	Supports single 12V input, ± 10%	
	Total peripheral power supply output	5V @ 3A for CPU board and MIOe module totally, 12V @ 2A for MIOe module	
	Power Consumption (Typical)	N4200: 0.37 @ 12V (4.48W)	
	Power Consumption (Max)	N4200: 1.44 @ 12V (17.38W)	
	Power Management	ACPI	
Environment	Battery	Lithium 3V/ 210mAH	
	Operation	0 ~ 60° C (32 ~ 140° F) (Operational humidity: 40° C @ 95% RH Non-Condensing)	
Physical Characteristics	Non-Operation	-40° C ~ 85° C and 60° C @ 95% RH non-condensing	
	Dimensions (L x W)	100 x 72 mm (3.9" x 2.8")	
	Weight	0.39 kg (0.85 lb), weight of total package	
	Total Height	25.8 mm (including heatsink)	

* The specification is supported by request

** MIO-3360 default support GbE only. GbE w/LED is supported by request.

Block Diagram



Ordering Information

Part Number	CPU	Core	L2 Cache	CPU TDP	Memory	VGA	eMMC	Mini PCIe *	Connector Type	Thermal solution	Operating Temp
MIO-3360N-S2A1E	Pentium N4200 2.50 GHz	4	2M	6W	8G	Yes	32G	Yes	pin-hdr	Passive	0 ~ 60 °C
MIO-3360N-S1A1E	Celeron N3350 2.40 GHz	2	2M	6W	8G	Yes	32G	Yes	pin-hdr	Passive	0 ~ 60 °C
MIO-3360C-S2A1E	Pentium N4200 2.50 GHz	4	2M	6W	8G	Yes	32G	Yes	box-wafer	Passive	0 ~ 60 °C

* Full-size Mini PCIe supports mSATA
 Note1: Default BIOS supports 64 bits OS installation, BIOS for 32 bits OS installation is supported by project.
 Note2: Passive = fanless; Active = with fan

Packing List

Part No.	Description	Quantity
	MIO-3360 SBC	1
	Startup Manual	1
1960078695T101	HEATSINK APL-non_I-99.5x70.5x15.7-SC MIO-3360	1

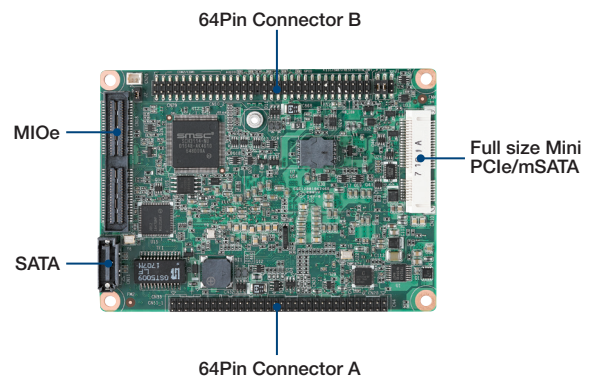
Optional Accessories

Part No.	Description
MIOE-DB2100-00A1E	MIO-3260 Evaluation Board

Embedded OS/API

Embedded OS/API	Part Number	Description
WIN10	20706WX6ES0014	64-bit (UEFI mode only)

Bottom Side View



Our company network supports you worldwide with offices in Germany, Austria, Switzerland, the UK and the USA. For more information please contact:

Headquarters

Germany



FORTEC Elektronik AG

Augsburger Str. 2b
82110 Germering

Phone: +49 89 894450-0
E-Mail: info@forteca.de
Internet: www.forteca.de

Fortec Group Members

Austria



Distec GmbH Office Vienna

Nuschinggasse 12
1230 Wien

Phone: +43 1 8673492-0
E-Mail: info@distec.de
Internet: www.distec.de

Germany



Distec GmbH

Augsburger Str. 2b
82110 Germering

Phone: +49 89 894363-0
E-Mail: info@distec.de
Internet: www.distec.de

Switzerland



ALTRAC AG

Bahnhofstraße 3
5436 Würenlos

Phone: +41 44 7446111
E-Mail: info@altrac.ch
Internet: www.altrac.ch

United Kingdom



Display Technology Ltd.

Osprey House, 1 Osprey Court
Hichingbrooke Business Park
Huntingdon, Cambridgeshire, PE29 6FN

Phone: +44 1480 411600
E-Mail: info@displaytechnology.co.uk
Internet: www.displaytechnology.co.uk

USA



Apollo Display Technologies, Corp.

87 Raynor Avenue,
Unit 1 Ronkonkoma,
NY 11779

Phone: +1 631 5804360
E-Mail: info@apolloDisplays.com
Internet: www.apolloDisplays.com