



OUR GLOBAL  
COMPETENCE  
CENTRES

 APOLLO DISPLAY  
TECHNOLOGIES



**FORTEC**  
INTEGRATED



**FORTEC**  
UNITED KINGDOM

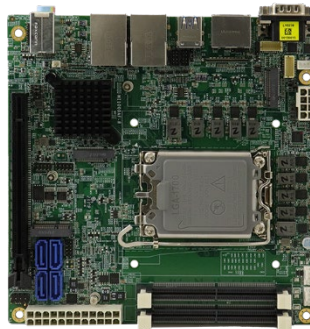


# Datasheet

## iBASE

### MI1000

14th/13th/12th Gen Intel® Core™ DT Processors (RPL-S Refresh Platform) with Intel® R680E PCH Mini-ITX  
Motherboard

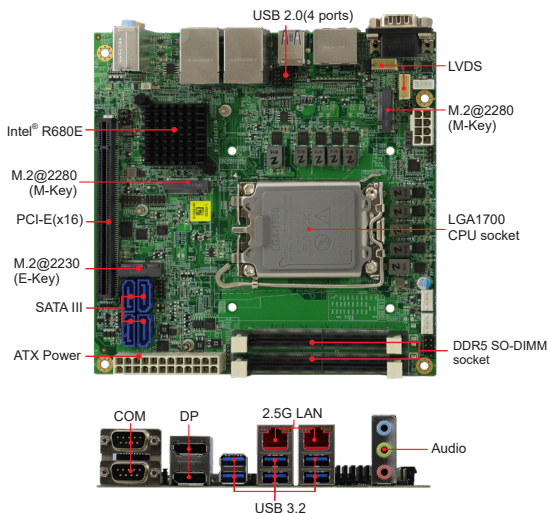


---

The information contained in this document has been carefully researched and is, to the best of our knowledge, accurate. However, we assume no liability for any product failures or damages, immediate or consequential, resulting from the use of the information provided herein. Our products are not intended for use in systems in which failures of product could result in personal injury. All trademarks mentioned herein are property of their respective owners. All specifications are subject to change without notice.

---

**NEW**



## Features

- 14th/13th/12th Gen Intel® Core™ i9/i7/i5/i3 / DT processors, up to 65W
- 2x DDR5 SO-DIMM sockets, Max. 64GB, support ECC
- Intel® processor integrated graphic supports eDP, LVDS and 2x DisplayPort(1.4a) (DP++)
- LAN 1: Intel® I226LM, supports 2.5G and iAMT  
LAN 2: Intel® I226V, supports 2.5G only
- 6x USB 3.2, 4x USB 2.0, 2x COM, 4x SATA III
- 1x PCI-E (x16) [Gen.5.0] ; 3x M.2 (E-Key and 2x M-Key)
- Supports watchdog timer, Digital I/O, iAMT(16.1), dTPM (2.0) / fTPM(2.0)

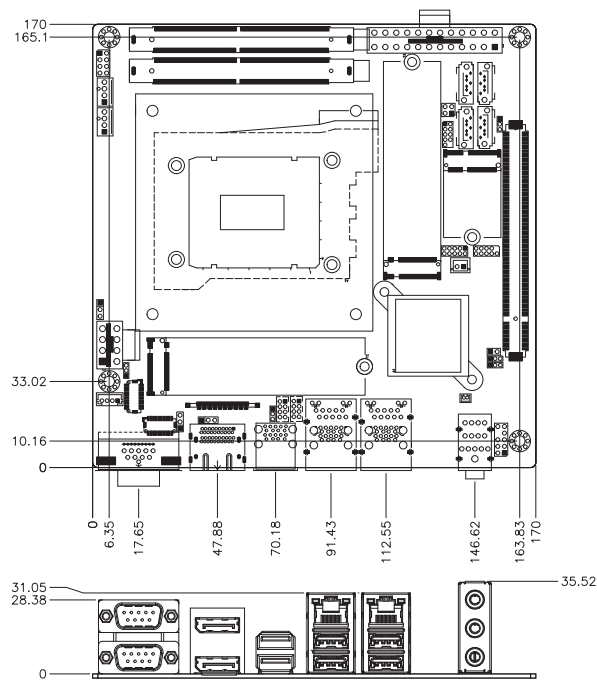
## Specifications

CPU Socket	LGA1700
CPU	14th/13th/12th Gen Intel® Core™ i DT processors
PCH	R680E
Memory	2x DDR5 SO-DIMM sockets, supports DDR5 -5600 memory module , Max. 64GB *DDR5-5600 only by Core i7 Processor & 1R memory module*
BIOS	AMI
Watchdog Timer	256 levels
H/W Monitor	Yes
Storage Device Interface	SATA III & NVMe
Expansion Slots	1x PCI-E (x16) [Gen 5.0]
Mini Type Slots	2x M.2 (M-Key, type:2280, PCI-E(4x) Gen.4) 1x M.2 (E-Key, type:2230, USB 2.0 + PCI-E 3.0)
Graphics Controller	14th Gen Intel® RPL-S Refresh DT processor integrated Xe graphics architecture
Video Output	1x eDP + 2 x DisplayPort (1.4a) (DP++) + LVDS
Ethernet	LAN 1: Intel® I226LM , supports 2.5G and iAMT LAN 2: Intel® I226V, supports 2.5G only
I/O Chipset	Fintek F81964D-I
Serial Port	2x COM ports: 1x RS232/422/485 + 1x RS232
USB 2.0	4x USB 2.0 via pin-headers
USB 3.X	2x USB 3.2 (10Gbps)+ 4x USB 3.2 (5Gbps) @edge connector
Serial ATA	4x SATA III
Audio	Built-in HD audio controller + Realtek ALC888S w/ 7.1 channels
TPM	Supports dTPM/ fTPM
Others	Digital I/O (4-in/4-out) , Watchdog timer, PDPC
Dimensions (L x W)	170mm x 170mm (6.7"x 6.7")
Power Consumption	14th Gen Intel® Core™ i9-14900 w/ 2x 32GB DDR5 Transcend TS4GSA64V6E +12V:23.17A
Operating Temperature	0°C~60°C ( 32°F~140°F)
Storage Temperature	-20°C~80°C (-4°F~176°F)
Relative Humidity	90% (non-condensing @60°C)

## Ordering Information

MI1000AF-R	LGA1700 Mini-ITX Motherboard w /eDP, LVDS, 2x DisplayPort,2x Dual 2.5GbE, 4x SATA, RAID, iAMT (16.1), dTPM
MI1000AF-R-1	LGA1700 Mini-ITX Motherboard w /eDP, LVDS, 2x DisplayPort,2x Dual 2.5GbE, 4x SATA, RAID, iAMT (16.1), fTPM (2.0)

## Dimensions and Drawing



1 Single Board Computers

2 CPU Modules

3 Motherboards

4 CPU Cards

Our company network supports you worldwide with offices in Germany, Austria, Switzerland, the UK and the USA. For more information please contact:

## Headquarters

Germany



**FORTEC**  
GROUP

FORTEC Elektronik AG  
Augsburger Str. 2b  
82110 Germering

Phone: +49 89 894450-0  
E-Mail: [info@fortecag.de](mailto:info@fortecag.de)  
Internet: [www.fortecag.de](http://www.fortecag.de)

---

## Fortec Group Members

Austria



**FORTEC**  
INTEGRATED

Distec GmbH Office Vienna  
Nuschinggasse 12  
1230 Wien

Phone: +43 1 8673492-0  
E-Mail: [info@distec.de](mailto:info@distec.de)  
Internet: [www.distec.de](http://www.distec.de)

Germany



**FORTEC**  
INTEGRATED

Distec GmbH  
Augsburger Str. 2b  
82110 Germering

Phone: +49 89 894363-0  
E-Mail: [info@distec.de](mailto:info@distec.de)  
Internet: [www.distec.de](http://www.distec.de)

Switzerland



**ALTRAC**  
A FORTEC GROUP MEMBER

ALTRAC AG  
Bahnhofstraße 3  
5436 Würenlos

Phone: +41 44 7446111  
E-Mail: [info@altrac.ch](mailto:info@altrac.ch)  
Internet: [www.altrac.ch](http://www.altrac.ch)

United Kingdom



**FORTEC**  
UNITED KINGDOM

Display Technology Ltd.  
Osprey House, 1 Osprey Court  
Hinchingbrooke Business Park  
Huntingdon, Cambridgeshire, PE29 6FN

Phone: +44 1480 411600  
E-Mail: [info@displaytechnology.co.uk](mailto:info@displaytechnology.co.uk)  
Internet: [www.displaytechnology.co.uk](http://www.displaytechnology.co.uk)

USA



 **APOLLO DISPLAY**  
**TECHNOLOGIES**  
A FORTEC GROUP MEMBER

Apollo Display Technologies, Corp.  
87 Raynor Avenue, Unit 1  
Ronkonkoma, NY 11779

Phone: +1 631 5804360  
E-Mail: [info@apolloDisplays.com](mailto:info@apolloDisplays.com)  
Internet: [www.apolloDisplays.com](http://www.apolloDisplays.com)