



OUR GLOBAL
COMPETENCE
CENTRES

 APOLLO DISPLAY
TECHNOLOGIES



 DISTEC



 DISPLAY
TECHNOLOGY

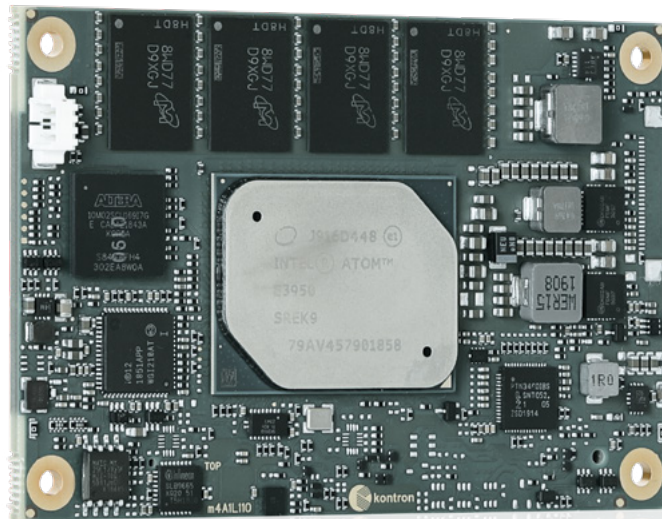


Datasheet

Kontron COMe-m4AL10

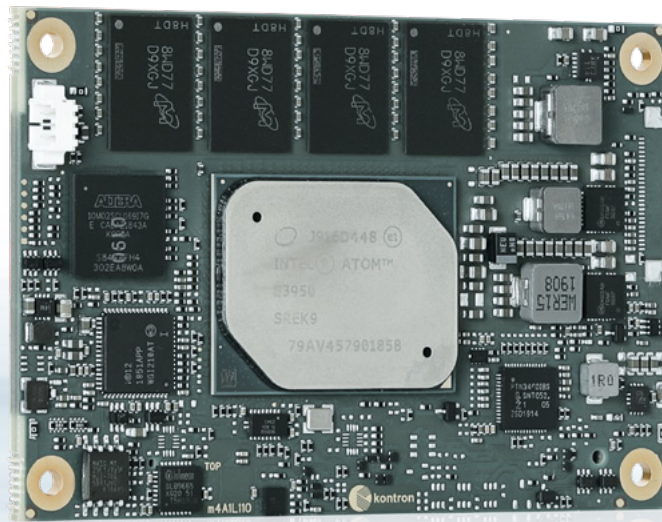
COM Express Mini Type 10 Module with

Intel® Apollo Lake Pentium® N4200, Celeron® N3350 or Atom™ E39xx Series Processors



The information contained in this document has been carefully researched and is, to the best of our knowledge, accurate. However, we assume no liability for any product failures or damages, immediate or consequential, resulting from the use of the information provided herein. Our products are not intended for use in systems in which failures of product could result in personal injury. All trademarks mentioned herein are property of their respective owners. All specifications are subject to change without notice.

COMe-m4AL10 (E2)



COM Express® mini Type 10 with Intel Atom® E3900, Intel Atom® E3900 Series, Pentium® and Celeron® Processors

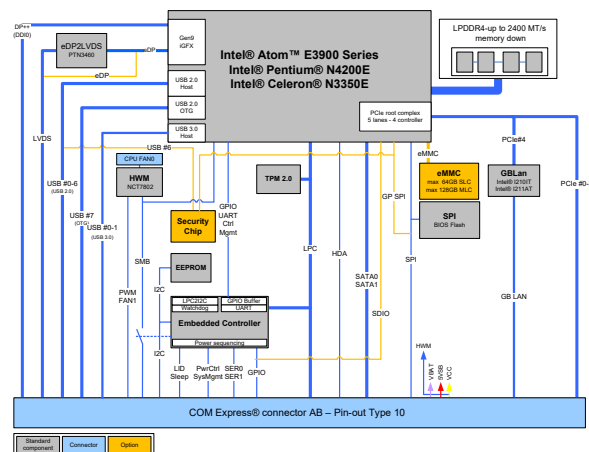
- ▶ Low-Power - Performance/Watt optimized small form factor solution
- ▶ Up to 16 GByte LPDDR4 memory down (non ECC)
- ▶ 2x USB 3.0/2.0, 6x USB 2.0, USB client optional, 2x SATA, eMMC Flash
- ▶ Industrial grade temperature

POSSIBILITIES START HERE



TECHNICAL INFORMATION

COMPLIANCE	COM Express® mini, Pin-out Type 10	
DIMENSIONS (H X W X D)	84 x 55 mm	
CPU	Intel Atom® x7-E3950, 4C, 1.6 / 2.0 GHz, 12 W TDP Intel Atom® x5-E3940, 4C, 1.6 / 1.8 GHz, 9.5 W TDP Intel Atom® x5-E3930, 2C, 1.3 / 1.8 GHz, 6.5 W TDP	Intel® Pentium® N4200E, 4C, 1.1 / 2.5 GHz, 6 W TDP Intel® Celeron® N3350E, 2C, 1.1 / 2.4 GHz, 6 W TDP
CHIPSET	-	
MAIN MEMORY	Up to 16 GByte LPDDR4-2400 memory down (non-ECC)	
GRAPHICS CONTROLLER	Intel® HD Gfx Gen9: LVDS/eDP, 1x DP++, up to 4K	
ETHERNET CONTROLLER	Intel® I210IT/I211AT	
ETHERNET	10/100/1000 Mbit Ethernet	
HARD DISK	2x SATA 6 Gb/s, SDIO Interface (shared with GPIO)	
FLASH ONBOARD	depending on version	
PCI EXPRESS® SUPPORT	PCIe lane configurations: 3 x1 / 2 x1 + 1 x2 / 2 x2	
PANEL SIGNAL	DDI: DP++, LVDS: Single Channel 18 / 24 bit or eDP	
USB	2x USB 3.0 (incl. USB 2.0) + 6x USB 2.0, Port 7 is dual role (Client/Host)	
SERIAL	2x serial interface (RX / TX only)	
AUDIO	Intel® High Definition Audio	
COMMON FEATURES	SPI, LPC, SMB, Fast I ² C, Staged Watchdog, RTC	
BIOS	AMI Aptio V	
HUMIDITY	93% relative Humidity at 40 °C, non-condensing (according to IEC 60068-2-78)	
FEATURES ON REQUEST	w/o onboard LAN: PCIe lane configuration 4 x1, eMMC Flash onboard (up to 64 GByte pSLC, up to 128 GByte MLC), eDP instead of LVDS, General Purpose SPI instead of Boot SPI, AES-NI, USB client, Security Chip (Support of Kontron APPROTECT),	
POWER MANAGEMENT	ACPI 4.0	
POWER SUPPLY	4.75 V – 20 V Wide Range, Single Supply Power	
SPECIAL FEATURES	Trusted Platform Module TPM 2.0, 4k Resolutions, GPIO/SDIO Switch, General Purpose SPI optional, Industrial Temperature Grade versions	
OPERATING SYSTEM	Windows® 10, Enterprise, Windows 10 IoT, Linux, VxWorks	
TEMPERATURE	COMe-m4AL10: Commercial temperature: 0 °C to +60 °C operating, -30 °C to +85 °C non-operating COMe-m4AL10 E2: Industrial temperature: -40 °C to +85 °C operating, -40 °C to +85 °C non-operating	
SUPPORTED MODULES	COMe-m4AL10 / COMe-m4AL10 E2	



Global Headquarters

Kontron S&T AG

Lise-Meitner-Str. 3-5
86156 Augsburg, Germany
Tel.: +49 821 4086 0
Fax: +49 821 4086 111
info@kontron.com
www.kontron.com

Our company network supports you worldwide with offices in Germany, Austria, Switzerland, the UK and the USA. For more information please contact:

Headquarters

Germany



FORTEC Elektronik AG

Augsburger Str. 2b
82110 Germering

Phone: +49 89 894450-0
E-Mail: info@fortecag.de
Internet: www.fortecag.de

Fortec Group Members

Austria



Distec GmbH Office Vienna

Nuschinggasse 12
1230 Wien

Phone: +43 1 8673492-0
E-Mail: info@distec.de
Internet: www.distec.de

Germany



Distec GmbH

Augsburger Str. 2b
82110 Germering

Phone: +49 89 894363-0
E-Mail: info@distec.de
Internet: www.distec.de

Switzerland



ALTRAC AG

Bahnhofstraße 3
5436 Würenlos

Phone: +41 44 7446111
E-Mail: info@altrac.ch
Internet: www.altrac.ch

United Kingdom



Display Technology Ltd.

Osprey House, 1 Osprey Court
Hichingbrooke Business Park
Huntingdon, Cambridgeshire, PE29 6FN

Phone: +44 1480 411600
E-Mail: info@displaytechnology.co.uk
Internet: www.displaytechnology.co.uk

USA



Apollo Display Technologies, Corp.

87 Raynor Avenue,
Unit 1 Ronkonkoma,
NY 11779

Phone: +1 631 5804360
E-Mail: info@apolloDisplays.com
Internet: www.apolloDisplays.com