



# DATA SHEET

## Multi-Purpose LCD TV Control Board

### Product Description

2009-02-20

The information contained in this document has been carefully researched and is, to the best of our knowledge, accurate. However, we assume no liability for any product failures or damages, immediate or consequential, resulting from the use of the information provided herein. Our products are not intended for use in systems in which failures of product could result in personal injury. All trademarks mentioned herein are property of their respective owners. All specifications are subject to change without notice.

---



## 1. GENERAL DESCRIPTION

5621 V1.1B-Dis a multi-purpose LCD monitor, it is suitable European market. It is designed to support dual/single LVDS which 15-22inch LCD panel.

The main feature of 5621 V1.1B-Dcan support VGA,DVI signal .

## 2 FEATURES

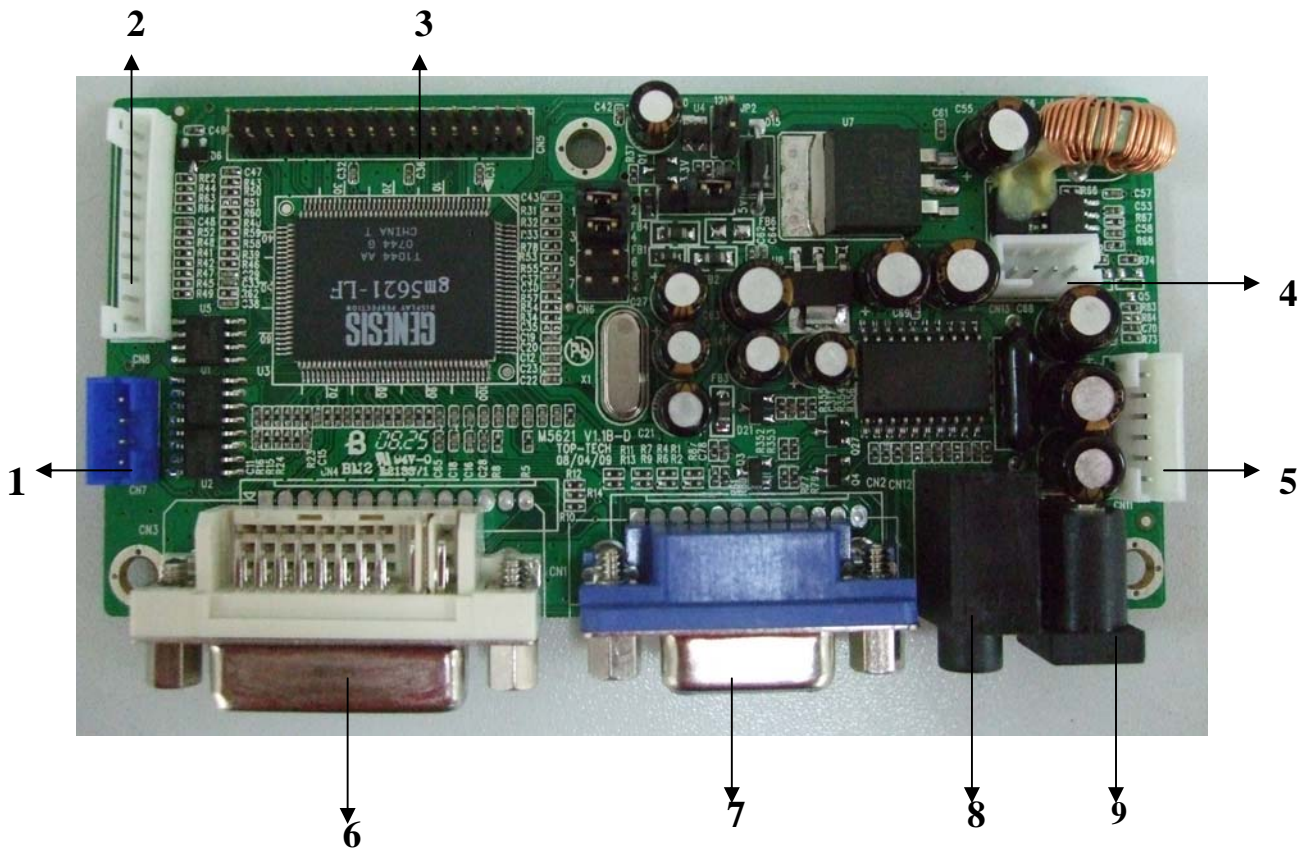
Below you will find the detailed feature

|               |   |                                       |                      |
|---------------|---|---------------------------------------|----------------------|
| Video input   | PC-RGB  | Format                                | up to 1680*1050@60Hz |
|               |   | Color                                 | 16bit, 24bit, 32bit  |
|               | DVI   | Format                                | up to 1680*1050@60Hz |
|               |   | Operating speed                       | 165MHz               |
| Audio input   | PC-RGB  | Pc:Earphone input                     |                      |
| Power         | Power Requirement   | 12V                                   |                      |
|               | To panel  | 3.3V,5V,12V                           |                      |
|               | Manage  | Low power consumable mode: standby<3w |                      |
| OSD Language  | Chinese,English, French , Italian, German, Korean, Russian,Spanish(Option ) |                                       |                      |
| Key Functions | Select/Exit, Menu, Auto, Left, Right  |                                       |                      |
| Audio Output  | 2*2w (8 Ω)  |                                       |                      |

|                   |                      |                                  |  |
|-------------------|----------------------|----------------------------------|--|
| Panel Resolutions | Up to 1680*1050@60HZ |                                  |  |
| Input             | PC-RGB Input         | 1D-SUB 15PIN terminal blue color |  |
|                   | PC-RGB Audio Input   | 1 earphone terminal black color  |  |
|                   | DVI input            | 1 DVI 24PIN                      |  |
| Output            | To Panel             | LVDS 30PIN/2.0 jack              |  |

## 3 FUNCTION LAYOUT

PICTURE OF LCD CONTROLLER



#### INTERFACE FUNCTION DESCRIPTION

| NO | DESCRIPTION          | NO | DESCRIPTION |
|----|----------------------|----|-------------|
| 1  | DEBUGGING PORT       | 6  | DVI IN      |
| 2  | KEY BOARD            | 7  | VGA IN      |
| 3  | LVDS PANEL INTERFACE | 8  | PC AUDIO IN |
| 4  | SPEAKER              | 9  | DC IN       |
| 5  | INVERTER PORT        |    |             |

#### INTERFACE DEFINITION

Below ,please see the symbol and description from left to right pin

#### CN11 ( 6PIN/2.0 ) INVERTER INTERFACE

| NO | SYMBOL | DESCRIPTION                |
|----|--------|----------------------------|
| 1  | GND    | Ground                     |
| 2  | GND    | Ground                     |
| 3  | ADJUST | Brightness adjustment      |
| 4  | BKLTON | Black-light ON/OFF control |
| 5  | 12VC   | +12V DC Power supply       |
| 6  | 12VC   | +12V DC Power supply       |

**CN7(4PIN/2.0) DEBUGGING INTERFACE**

| NO | SYMBOL | DESCRIPTION      |
|----|--------|------------------|
| 1  | 5V     | +5V Power supply |
| 2  | TXD    | TXD signal       |
| 3  | RXD    | RXD signal       |
| 4  | GND    | Ground           |

**CN13(4PIN/2.0)SPEAKER**

| NO | SYMBOL | DESCRIPTION             |
|----|--------|-------------------------|
| 1  | SPK_R  | Right audio channel out |
| 2  | GND    | Ground                  |
| 3  | GND    | Ground                  |
| 4  | SPK_L  | Left audio channel out  |

**CN8(10PIN/2.0)KEY BOARD+LED**

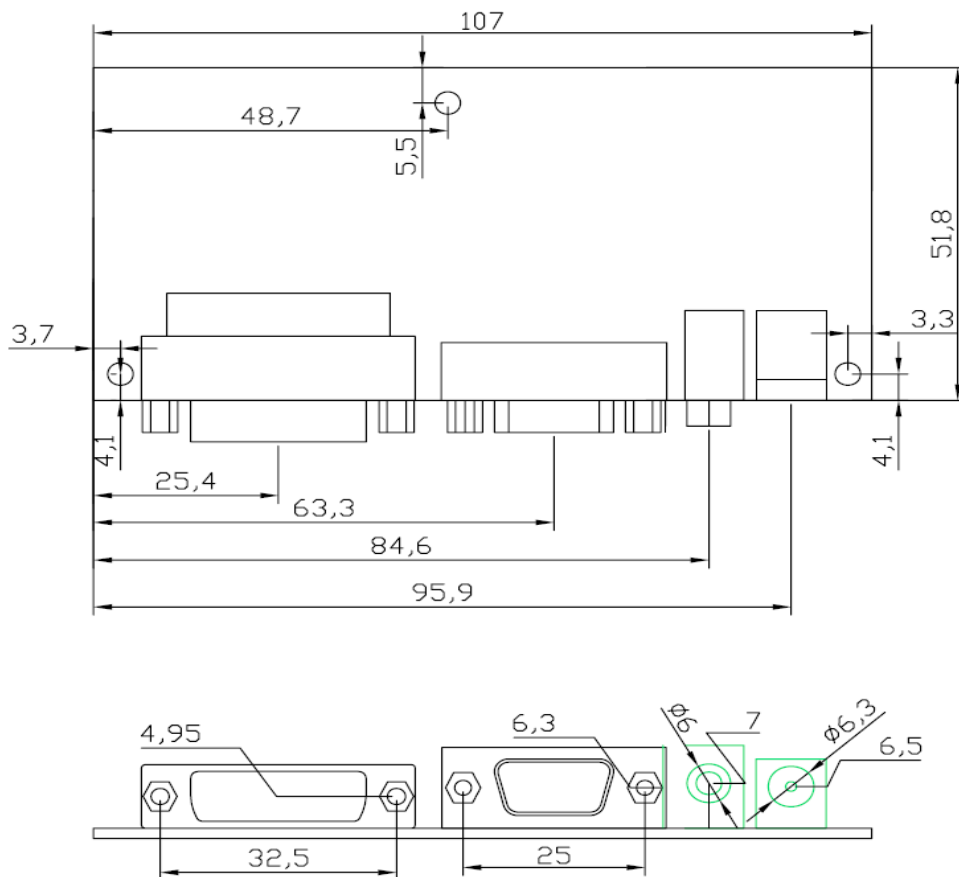
| NO | SYMBOL      | DESCRIPTION        |
|----|-------------|--------------------|
| 1  | SELECT/EXIT | Select or exit key |
| 2  | MENU        | Menu key           |
| 3  | AUTO        | Auto key           |
| 4  | LEFT        | Left key           |
| 5  | RIGHT       | Right key          |
| 6  | GND         | Ground             |
| 7  | GREEN_LED   | Green led          |
| 8  | RED_LED     | Red led            |
| 9  | ON/OFF      | ON/OFF key         |
| 10 | V/D         | NC                 |

**CN16(2\*15PIN/2.0)LVDS PANEL INTERFACE**

| NO | SYMBOL | DESCRIPTION        |
|----|--------|--------------------|
| 1  | VDD    | Power for panel    |
| 2  | VDD    | Power for panel    |
| 3  | VDD    | Power for panel    |
| 4  | GND    | Ground             |
| 5  | GND    | Ground             |
| 6  | GND    | Ground             |
| 7  | O0-    | LVDS ODD 0- Signal |
| 8  | O0+    | LVDS ODD 0+ Signal |
| 9  | O1-    | LVDS ODD 1- Signal |
| 10 | O1+    | LVDS ODD 1+ Signal |
| 11 | O2-    | LVDS ODD 2- Signal |
| 12 | O2+    | LVDS ODD 2+ Signal |
| 13 | GND    | Ground             |
| 14 | GND    | Ground             |

|    |     |                         |
|----|-----|-------------------------|
| 15 | OC- | LVDS 0DD Clock- Signal  |
| 16 | OC+ | LVDS 0DD Clock+ Signal  |
| 17 | O3- | LVDS 0DD 3- Signal      |
| 18 | O3+ | LVDS 0DD 3+ Signal      |
| 19 | E0- | LVDS EVEN 0- Signal     |
| 20 | E0+ | LVDS EVEN 0+ Signal     |
| 21 | E1- | LVDS EVEN 1- Signal     |
| 22 | E1+ | LVDS EVEN 1+ Signal     |
| 23 | E2- | LVDS EVEN 2- Signal     |
| 24 | E2+ | LVDS EVEN 2+ Signal     |
| 25 | GND | Ground                  |
| 26 | GND | Ground                  |
| 27 | EC- | LVDS EVEN Clock- Signal |
| 28 | EC+ | LVDS EVEN Clock+ Signal |
| 29 | E3- | LVDS EVEN 3- Signal     |
| 30 | E3+ | LVDS EVEN 3+ Signal     |

#### 4.CONTROLLER DIMENSIONS



#### 5. KEY BOARD +LED SYSTEM SCHEMATIC



## 6. OPERATION REQUIREMENT

**Do not pressed and distorted.**

**Keep away from static and water.**

**Relative humidity : $\leq 80\%$**

**Storage temperature:-10~+60°C**

**Operation temperature:0~+40°C**





DATA DISPLAY GROUP

Our company network supports you worldwide with offices in Germany, Turkey, Great Britain and the USA. For more information please contact:



DISTEC GmbH

**Distec GmbH**

Augsburger Str. 2  
82110 Germering  
Germany

Phone: +49 (0)89 / 89 43 63-0

Fax: +49 (0)89 / 89 43 63-131

E-Mail: [info@distec.de](mailto:info@distec.de)

Internet: [www.distec.de](http://www.distec.de)



DATA DISPLAY TEKNOLOJİ

**Data Display Teknoloji Elektronik San Ve Diş Tic A.Ş.**

Kustepe Leylak Sok.

Nursanlar İş Merkezi

Kat. 6 No: 21

Şişli / İstanbul

Turkey

Phone: +90 (0)212 / 356 04 20

Fax: +90 (0)212 / 356 04 25

E-Mail: [info@datadisplay.com.tr](mailto:info@datadisplay.com.tr)

Internet: [www.datadisplay.com.tr](http://www.datadisplay.com.tr)



DISPLAY TECHNOLOGY

**Display Technology Ltd.**

A2 Spectrum Business Centre  
Anthony's Way, Medway City Estate  
Rochester, Kent, ME2 4NP  
United Kingdom

Phone: + 44 (0)1634 / 29 55 55

Fax: + 44 (0)1634 / 29 55 43

E-Mail: [info@displaytechnology.co.uk](mailto:info@displaytechnology.co.uk)

Internet: [www.displaytechnology.co.uk](http://www.displaytechnology.co.uk)



**Apollo  
Display  
Technologies**

A Data Display Company

**Apollo Display Technologies, Corp.**

85 Remington Blvd.

Ronkonkoma, NY 11779

United States of America

Phone: +1 631 / 580-43 60

Fax: +1 631 / 580-43 70

E-Mail: [info@apolloDisplays.com](mailto:info@apolloDisplays.com)

Internet: [www.apolloDisplays.com](http://www.apolloDisplays.com)